



Semi-Automatic Product Strap Banding Machine

Model: RGW560II



PACKAGING EQUIPMENT

www.wedderburn.co.nz

RGW560II adds value and product appeal with customised, tamper-resistant, graphic banding labels.

The RGW560II is a new concept in food presentation that showcases product in a highly visual manner with detailed product information and tamper-resistant packaging.

Quick and easy to use, our DIGI Banding Machine can improve packing efficiency, food security and consumer appeal as well as delivering on food labelling regulations. If you need a weigh labelling option, we have a trade approved scale model for that too.

Revolutionary Presentation

The sophisticated band allows your product to shine beyond labelling, allowing customers a better view of the fabulous food you've created and may increase their confidence in product selection. You can still incorporate high impact visuals, pricing and product information, and position the band to maximise impact and pack seal integrity.

Other labelling techniques may limit the view of product and therefore reduce product appeal.

Banding is available in white, silver and clear for even greater control on how much of your product is seen.



Secure, Tamper-Resistant Packaging

The banding label uses a built-in heat seal to safely secure the package which; reduces chance of lids opening unexpectedly, deters and indicates deliberate tampering and eliminates the need to manually apply tape that may also compromise the visual appeal.



Additional POP / Barcode Labels

Add extra appeal to printed bands with the built-in POP Labeller that enables application of additional labels as part of the banding process.

Additional POP Labels are a convenient and efficient way to add your logo and colour for increased interest, brand awareness and instant appeal.



Specifications may change without notice

Semi-Automatic Product Strap Banding Machine

Model : RGW560II

Flexible Informative Printing

The RGW560II enables flexible design for printing variable data on demand by thermal transfer method. The banding label provides considerable real estate to fit a wide variety of advertising messages or multiple lines of product information including; ingredients, storage instructions, "packed on and use by" dates and price.

Powered by DIGI 5600 intelligence means PLUs can be programmed to comply with relevant food labelling requirements including New Zealand's Plain English Language Allergen Labelling (PEAL).



GLUTEN FREE



High Performance Banding Material

Especially developed for DIGI RGW-560II Banding Machines, our BOPP film is heat-sealable on both sides and offers; very high seal strength, excellent water vapour barrier, exceptional puncture and impact resistance even at low temperatures, and superior optical properties.

Standard bands are white. Clear, silver and rice paper options are available as special orders.



Exceptional Connectivity & Usability

RGW560II Banding Machines are powered by the DIGI 5600II series console to enable excellent communication with other backroom wrapping machines or printers. The easy and familiar operation reduces operator learning time and will help improve efficiency.



Specifications may change without notice

Semi-Automatic Product Strap Banding Machine

Model : RGW560II

FEATURES OVERVIEW

- flexible on-demand thermal transfer printing
- banding labels use a heat seal to secure the package
- up to 12 packs per minute (speed varies depending on length of the band format)
- banding label has ample space to fit a wide variety of advertising images or multiple lines of product information
- flexible product strap eliminates the need for distracting labels allowing for better package design and visibility of pack contents
- 10.4" touch screen LCD display
- built-in POP label applicator efficiently applies additional labels with images and colour
- DIGI 5600II series console enables communication with other backroom wrapping machines and printers
- PLUs can be programmed to conform to food labelling requirements such as PEAL

OPTIONS

- banding machine with console and trade approved scale (Model # RGW560IIS)

CONSUMABLES

- thermal transfer printing ribbons (order code BK0443)
- white thermal transfer band (order code 114411)



SPECIFICATIONS

Package size :	Width: 50 - 240 mm Depth: 80 mm or more Height: 10 - 150 mm
Banding speed:	up to 12 packs per minute (speed varies depending on length of the band format)
Banding film type:	OPP
Printing method:	Thermal transfer
Print resolution:	300 dpi
Film width:	60 mm
Printing area:	300 mm max. (Between 95 - 395 mm from top of binding label)
Label size with additional POP / Barcode Labeller:	Width: 33 - 53 mm Height: 20 - 40 mm
Display:	TFT LCD colour (10.4 inches) touch panel
Operation:	Mechanical keys and touch panel
Memory:	18 GB
Power requirement:	Single phase 240 V
*Scale weighing capacity:	6 / 15 kg x 2 / 5 g (multi-interval)
*Scale dimensions (mm):	342 (W) x 285 (D) x 85 (H)
Overall dimensions (mm):	630 (W) x 325 (D) x 788 (H) (RGW560II)
Net weight:	Model RGW560II - approx 41.4 kg

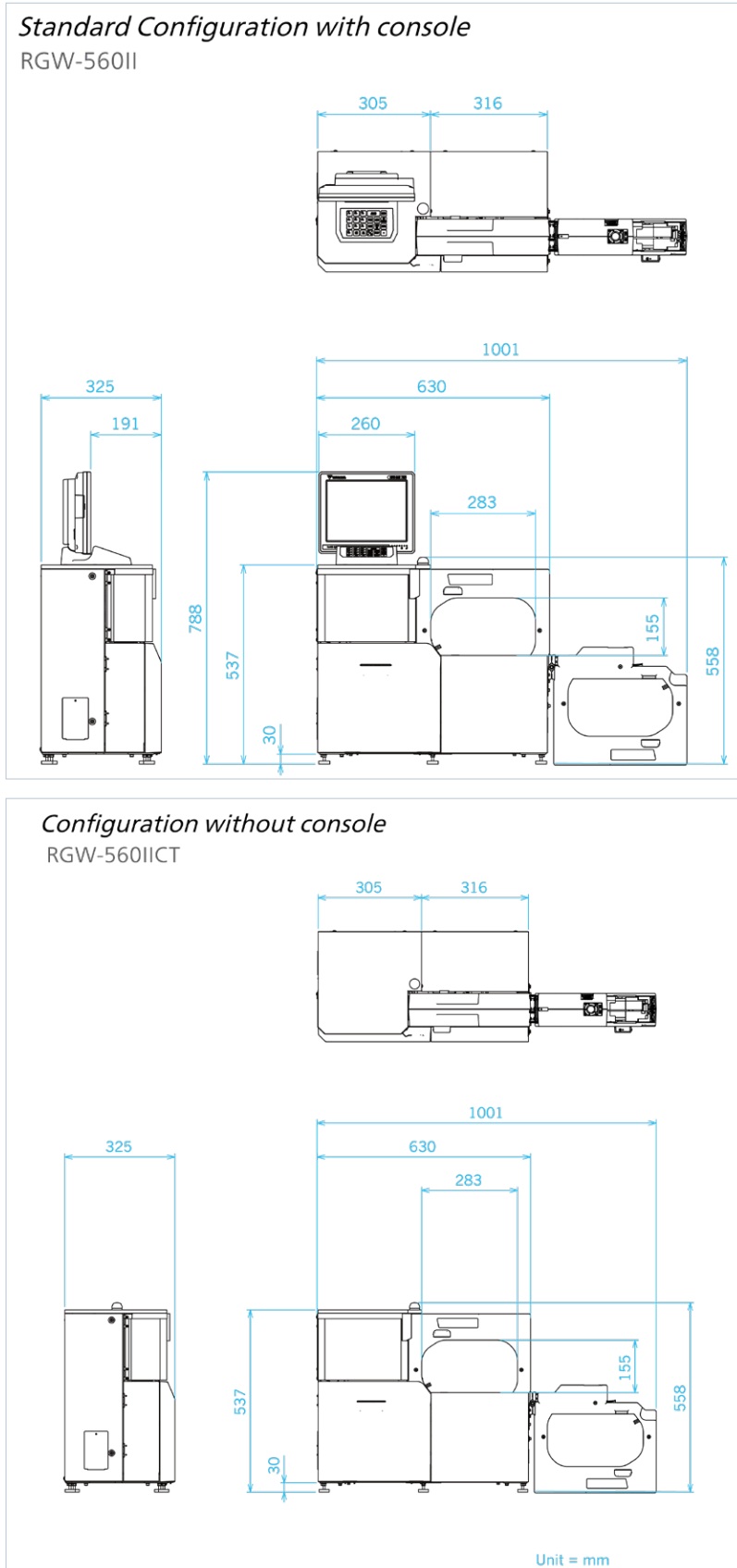
* Applicable only to Scale Model RGW560IIS15K

Specifications may change without notice

Semi-Automatic Product Strap Banding Machine

Model : RGW5600II

DIMENSIONS



PACKAGING EQUIPMENT

LABELS | LABELLING EQUIPMENT | PACKAGING EQUIPMENT
ESL & DIGITAL SIGNAGE | WEIGHING SCALES | POS SYSTEMS
FOOD EQUIPMENT | MAINTENANCE & REPAIRS | HIRE

Specifications may change without notice

Freephone: 0800 800 379
enquiries@wedderburn.co.nz
www.wedderburn.co.nz