

Colour Touch Screen Weigh Labeller

Model : TSDPS5000E

Intelligent stand-alone colour touch screen labeller with stainless steel weighing platform and an option of a stainless steel printer stand.
Trade approved in New Zealand.

FEATURES

TSDPS5000E

- legal for trade use (TS2056)
- direct thermal printing
- large stainless steel weighing platform
- easy label change with front loading label cassette
- built-in operator training modules
- touch screen operator display
- remote diagnostics and support
- helpful on-screen operator prompts
- high resolution printing at 300 dpi
- display panel rotates +/- 30° left/right and 0~90° up/down
- easily switch between receipt printing and label printing
- platform weight approx 6.6 kg
- printer weight approx 10.8 kg

OPTIONS

- wireless interface
- sturdy stainless steel printer stand (as shown)



Shown with optional printer stand

VARIATIONS

Model Number	Max Capacity	Graduation	Platform Size (mm)	Printer Dimensions (mm)
TSDPS5000E	15 kg	0 - 6 kg x 2 g 6 - 15 kg x 5 g	355 (W) x 290 (D) x 58 (H)	220 (W) x 422 (D) x 407 (H)

Specifications may change without notice

ORDER CODES FOR OPTIONS & SPARE PARTS

Order Code	Description
BL9898	Wireless Interface
WSSTAND-DPS5000	Stainless Steel Printer Stand (as shown)

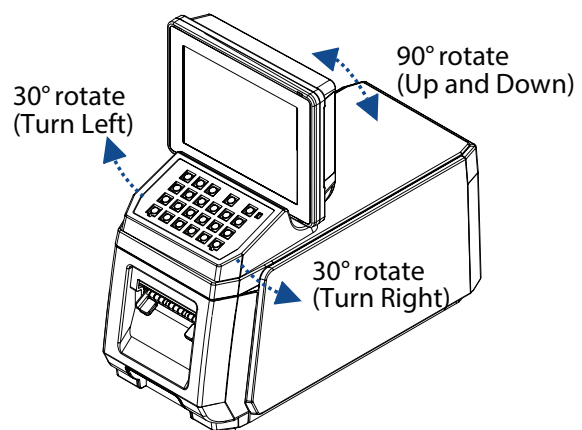
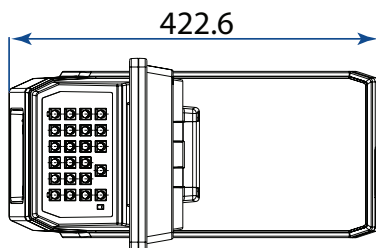
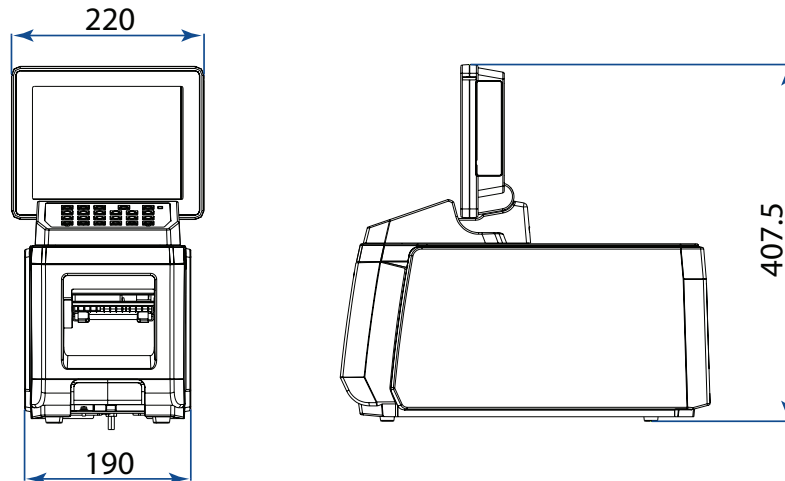
SPECIFICATIONS

Legal for Trade Use	Yes (TS2056)
Scale Type	Bench
Type of Display	Digital - Bench Level
Display Panel - Operator	NEC 8.4" TFT SVGA with Touch Panel with CCFL backlight
Display Panel - Customer	N/A
Weighing Units	kg, g
Price Computing Function	Yes
Wrapping Function	No
Label Printer Built-in	Yes
Label/Receipt Type	Standard Lined Labels
Linerless Labelling	Yes Factory Fitted
Label/Receipt Roll Diameter	125 mm maximum
Label/Receipt Paper Width	80 mm maximum
Label/Receipt Print Resolution	300 dpi
Operating Temperature	- 10 ° C to + 40 ° C
Power	Mains Power
Environment Suitability	Dry
Standard Interface	USB, Ethernet, 2 x RS232 ports (mini DIN), SD socket



Shown with optional printer stand

Specifications may change without notice



Specifications may change without notice